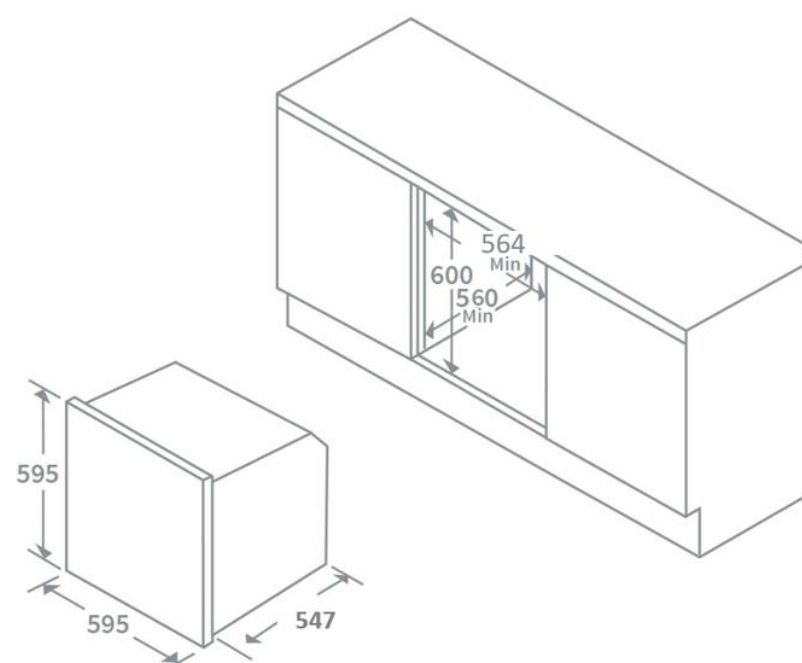


Product Data Sheet



Prima Code	PRSO110
Description	Prima+ single electric pyrolytic fan oven
Colour	Stainless steel & black glass
EAN Code	5034109800938
No. of cooking Functions:	10 + pyrolytic cleaning
Cooking Functions	Fan + Circular heat
	Fan (defrost)
	Full grill (upper heat + grill)
	Grill
	Lower heat
	Lower heat + upper heat
	Fan + lower heat + upper heat
	Fan + lower heat + Circular heat
	Fan + lower heat
	Fan + grill + upper heat
Features	Pyrolytic cleaning
	Digital timer & clock
	'Easy-remove' door for cleaning
	2 chrome shelves
	1 grill pan & mesh grill shelf
	Metal tray handle
	Removable side racks
Quadruple-glazed door	
Display	White LED
Controls	Touch control
Timer	Digital 24 hour timer
Net Capacity	76 litres
Gross Capacity	83 litres
Connection cable length	150cm
Maximum Connecion	2800W
Electrical Voltage	220-240V
Frequency	50Hz
Fuse rating	16A
Energy Rating	A
Product Height (mm)	595
Product Width (mm)	595
Product Depth (mm)	547 (body) + 20 (frame)
Required Cavity Height (mm)	600
Required Cavity Width (mm)	564
Required Cavity Depth (mm)	560