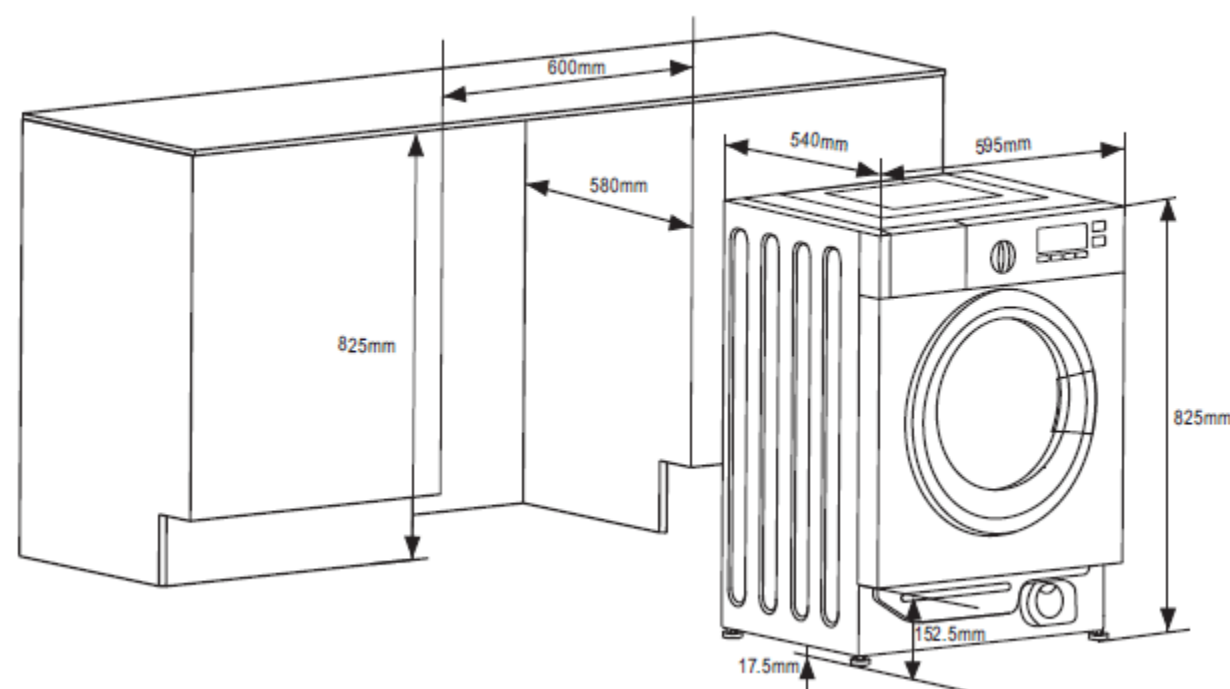


# Product Data Sheet



| Prima Code                      | PRLD370                                  |
|---------------------------------|--|
| Description                     | Washing Machine                          |
| Nominal Size                    | 60cm                                     |
| EAN Code                        | 5034109997409                            |
| Colour                          | White                                    |
| Full load capacity: Wash & Spin | 7kg                                      |
| Full load capacity: Dry         | n/a                                      |
| Maximum spin speed              | 1400rpm                                  |
| Programmes (16)                 | Cotton intensive                         |
|                                 | Cotton 60°C                              |
|                                 | Cotton 40°C                              |
|                                 | Cotton 20°C                              |
|                                 | Quick Wash (15 minutes)                  |
|                                 | Eco                                      |
|                                 | Rinse & spin                             |
|                                 | Spin only                                |
|                                 | Drain only                               |
|                                 | Wool                                     |
|                                 | Delicates                                |
|                                 | Mix                                      |
|                                 | Synthetic                                |
|                                 | Sportswear                               |
|                                 | Baby Care                                |
|                                 | "My Cycle" (recorded favourite settings) |
| Features                        | 0-24 Hour delay                          |
|                                 | Pre-wash function                        |
|                                 | Extra-rinse function                     |
|                                 | Quiet mode                               |
|                                 | Bubble removal function                  |
|                                 | LED display                              |
|                                 | Start/Pause Button                       |
|                                 | Speed regulation button                  |
|                                 | Temperature regulation button            |
|                                 | Adjustable legs                          |
|                                 | Child lock                               |

|  |                                   |
|--|-----------------------------------|
| Connection cable                                 | 1.5 metres                        |
| Plug   | Supplied with moulded 13A UK plug |
| Max noise level: Wash                            | 57dBA                             |
| Max noise level: Spin                            | 76dBA                             |
| Max noise level: Dry                             | n/a                               |
| Energy Class                                     | A+++                              |
| Energy consumption per annum                     | 174kwh                            |
| Energy consumption per cycle (full load at 60°C) | 0.82kwh                           |
| Water consumption per annum                      | 10,000 Litres                     |
| Water consumption per cycle (full load at 60°C)  | Max load: 50 litres               |
| Rated power                                      | 2000W                             |
| Drying power                                     | n/a                               |
| Electrical Voltage                               | 220-240V                          |
| Frequency  | 50Hz                              |
| Fuse rating                                      | 10A                               |
| Appliance door fitting                           | Reversible                        |
| Furniture door fitting                           | Reversible                        |
| Product Height (mm)                              | 825                               |
| Product Width (mm)                               | 595                               |
| Product Depth (mm)                               | 540                               |
| Net Weight                                       | 63kg                              |
| Cavity Height (mm)                               | 825                               |
| Cavity Width (mm)                                | 600                               |
| Cavity Depth (mm)                                | 580                               |