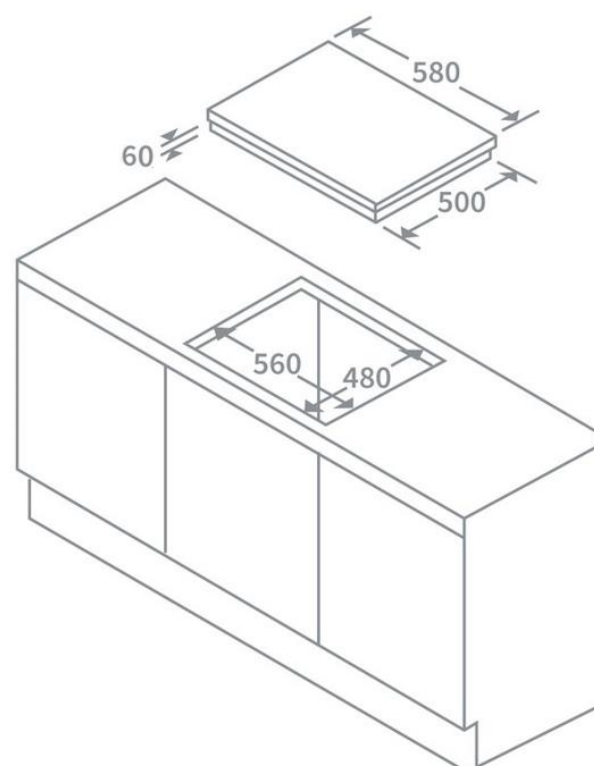


Product Data Sheet



Prima Code	PREH102
Description	60cm Electric Hob
Colour	Stainless steel
EAN Code	5034109087575
No. of cooking Zones	4 Zones
Features	"In operation" indicator
Controls	Rotary control
Control Panel Style	Side panel
Power Levels	6 power levels
Digital Timer Setting	n/a
Glass	n/a
Front left zone diameter (mm)	180
Rear left zone diameter (mm)	145
Rear right zone diameter (mm)	180
Front right zone diameter (mm)	145
Centre zone diameter (mm)	n/a
Front left zone power	2000W
Rear left zone power	1500W
Rear right zone power	2000W
Front right zone power	1500W
Centre zone power	n/a
Nominal Power	7000W
Electrical Voltage (V)	230
Frequency (Hz)	50/60
Product Height	60 mm
Product Width	580 mm
Product Depth	500 mm
Cut Out Width	560 mm
Cut Out Depth	480 mm
Electrical supply cord length	n/a
Required clearance above hob	76 cm
Guarantee	5 Year parts & 2 year labour