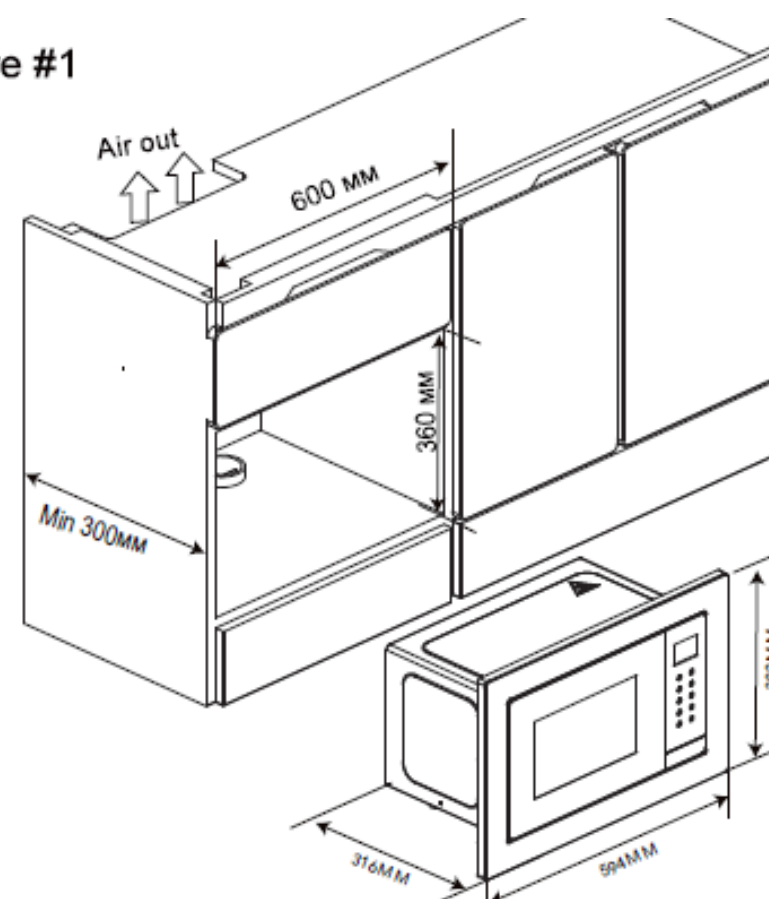


Product Data Sheet



Figure #1



| Prima Code | PRCM112 |
|-----------------------------|-----------------------------------------|
| Description | Built-in Black framed microwave & Grill |
| Colour | Black |
| EAN Code | 5054913510960 |
| Microwave Power levels | 4 |
| Functions | Microwave (4 Power levels: 160W - 700W) |
| | Jet defrost |
| | Express cooking ("quick start") |
| Features | Wall unit compatible |
| | Digital timer & clock |
| | Child safety lock |
| Display | White LED |
| Timer | 0-30 minutes |
| Gross Capacity | 20 litres |
| Microwave Input Power | 1200W |
| Microwave Output Power | 700W |
| Electrical Voltage V | 240 |
| Frequency (Hz) | 50 |
| Connection | Supplied with moulded 13A UK plug |
| Connection cable length | 1.35 metres |
| Turntable diameter (mm) | 250 |
| Product Height (mm) | 382 |
| Product Width (mm) | 594 |
| Product Depth (mm) | 316 – Including Frame |
| Required Cavity Height (mm) | 360 (min) |
| Required Cavity Width (mm) | 560 (min) |
| Required Cavity Depth (mm) | 300 (min) |
| Guarantee | 5 year parts & 2 year labour |