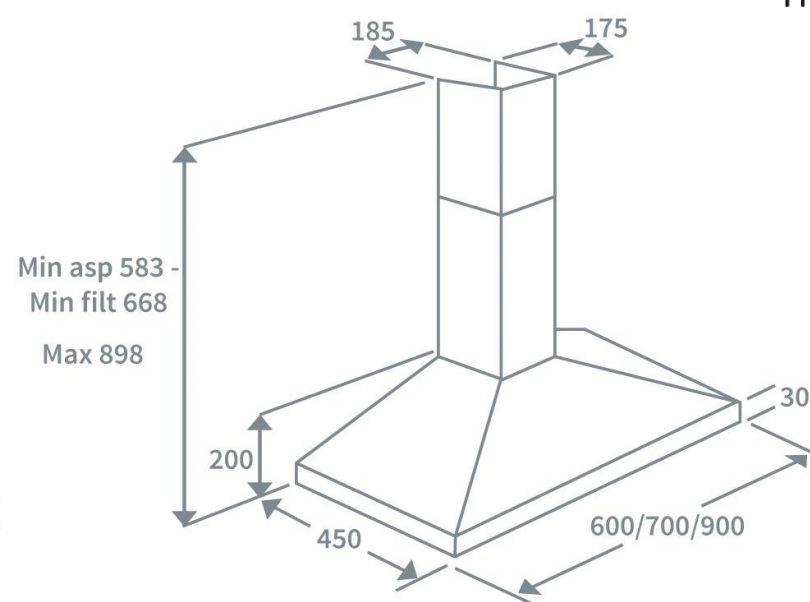


Product Data Sheet



| Prima Code | PRCH023 |
|--|------------------------|
| Description | Chimney Hood |
| Nominal Size | 90cm |
| Colour | Stainless Steel |
| Other Features | n/a |
| Controls | Mechanical Push Button |
| Speed Settings | 3 |
| EAN Code | 5054913335006 |
| Extraction Rate (m3/hr) - Speed 1 | 198 |
| Extraction Rate (m3/hr) - Speed 2 | 250 |
| Extraction Rate (m3/hr) - Speed 3 | 379 |
| Extraction Rate (m3/hr) - Booster | n/a |
| Free Airflow (m3/hr) - Speed 1 | 210 |
| Free Airflow (m3/hr) - Speed 2 | 261 |
| Free Airflow (m3/hr) - Speed 3 | 390 |
| Free Airflow (m3/hr) - Booster | n/a |
| Noise Level dBA - Speed 1 | 40 |
| Noise Level dBA - Speed 2 | 50 |
| Noise Level dBA - Speed 3 | 60 |
| Noise Level dBA - Booster | n/a |
| Grease Filters | Aluminium |
| Required Height over Gas Hob (mm) | 650 |
| Required Height over Electric Hob (mm) | 650 |
| Lights | 2 x 2,8W E14 LED |
| Energy Class | D |
| Power Supply | 3A |
| Total Rated Power Consumption | 155,6 W |
| Product Height (mm) | 583-688 |
| Product Width (mm) | 900 |
| Product Depth (mm) | 450 |
| Chimney/Flue Width (mm) | 185 |
| Chimney/Flue Depth (mm) | 175 |
| Outlet Diameter | 150mm |
| Carbon Filters (Optional) | LIA210 |
| Ducting Kit (Optional) | PRDK150 |