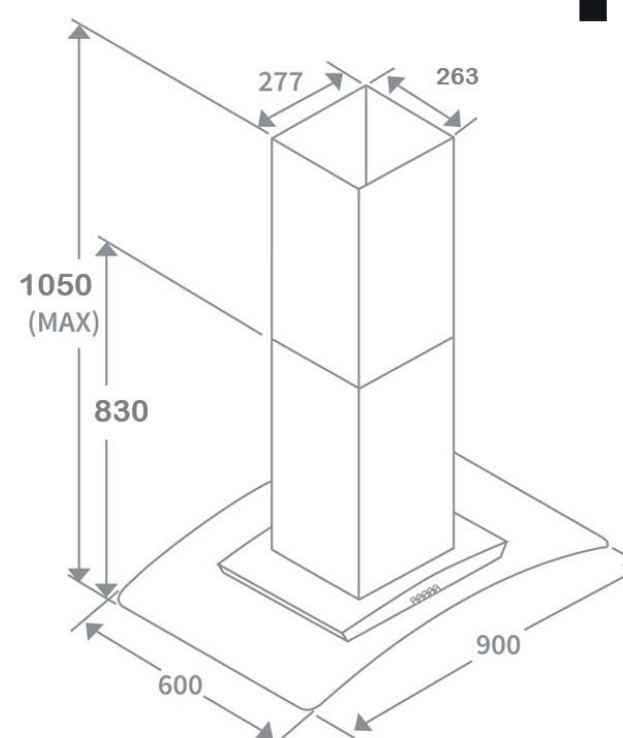


Product Data Sheet



| Prima Code | PRCGH100 |
|--|--------------------------|
| Description | Curved Glass Island Hood |
| Nominal Size | 90cm |
| Colour | Stainless Steel |
| Controls | Push Button |
| Speed Settings | 3 |
| EAN Code | 5034109778848 |
| Extraction Rate (m3/hr) - Speed 1 | 202 |
| Extraction Rate (m3/hr) - Speed 2 | 241 |
| Extraction Rate (m3/hr) - Speed 3 | 348 |
| Extraction Rate (m3/hr) - Booster | n/a |
| Free Airflow (m3/hr) - Speed 1 | 320 |
| Free Airflow (m3/hr) - Speed 2 | 380 |
| Free Airflow (m3/hr) - Speed 3 | 580 |
| Free Airflow (m3/hr) - Booster | n/a |
| Noise Level dBA - Speed 1 | 56 |
| Noise Level dBA - Speed 2 | 59 |
| Noise Level dBA - Speed 3 | 63 |
| Noise Level dBA - Booster | n/a |
| Grease Filters | Aluminium |
| Required Height over Gas Hob (mm) | 700 |
| Required Height over Electric Hob (mm) | 600 |
| Lights | 1W LED (x2) |
| Energy Class | B |
| Power Supply | 3A |
| Total Rated Power Consumption | 112W |
| Product Height (mm) | 830-1050 |
| Product Width (mm) | 900 |
| Product Depth (mm) | 600 |
| Chimney/Flue Width (mm) | 277 |
| Chimney/Flue Depth (mm) | 263 |
| Outlet Diameter | 150mm |
| Carbon Filters (Optional) | PRF007 |
| Ducting Kit (Optional) | PRDK150 |