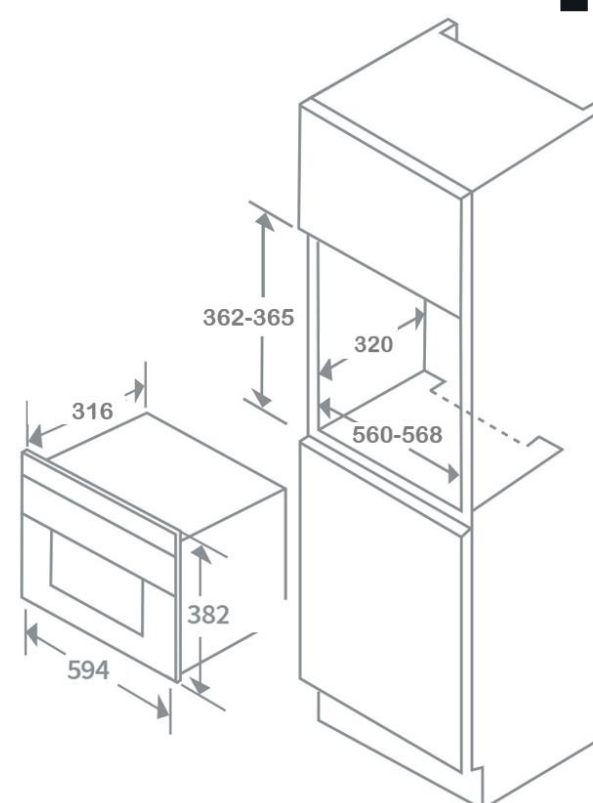


Product Data Sheet



Prima Code	LCTM201
Description	Built-in stainless steel framed microwave
Colour	Stainless steel
EAN Code	5034109737401
Microwave Power levels	5
Functions	Microwave (5 Power levels: 80W - 800W)
	Defrost
	Express cooking ("quick start")
	Auto cook function
	Multi function (pre-set)
Features	Pre set (delay start)
	Digital timer & clock
	Child safety lock
Display	Yellow LED
Timer	0-95 minutes
Capacity	25 Litres
Microwave Input Power	1250W
Microwave Output Power	800W
Grill Input Power	n/a
Electrical Voltage V	230
Frequency (Hz)	50
Connection	Supplied with moulded 13A UK plug
Connection cable length	1 metre
Turntable diameter (mm)	245
Product Height (mm)	382
Product Width (mm)	594
Product Depth (mm)	316
Required Cavity Height (mm)	362 (min) - 365 (max)
Required Cavity Width (mm)	560 (min) - 568 (max)
Required Cavity Depth (mm)	320 (min)