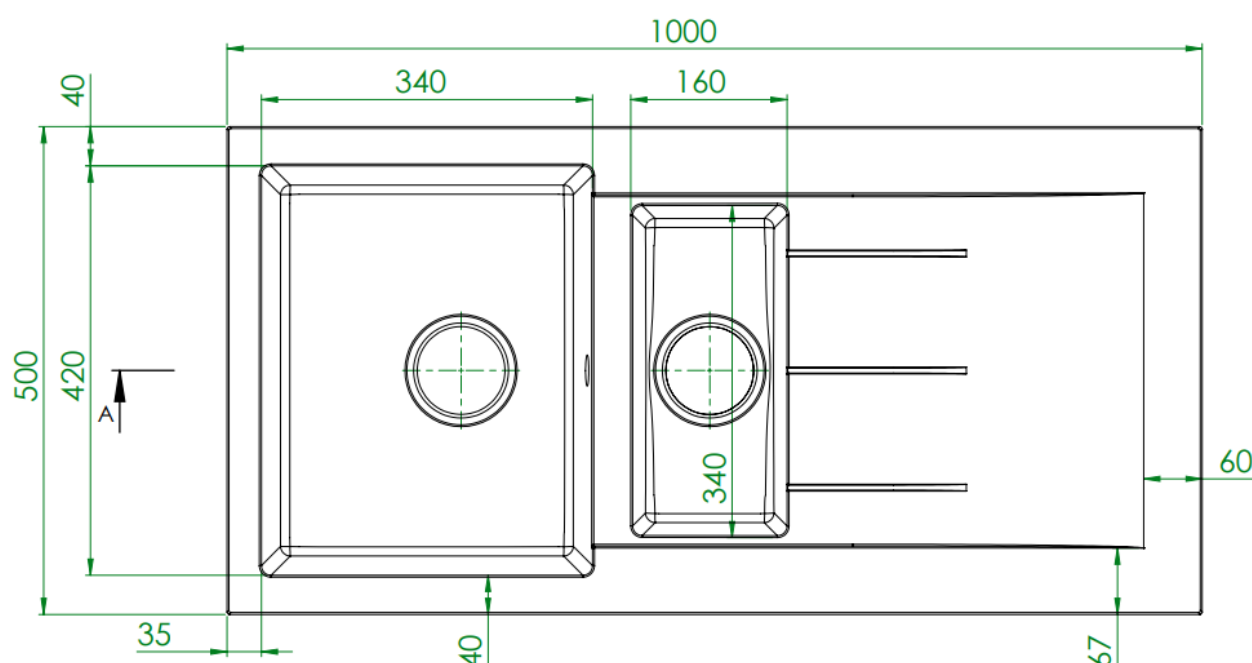


Product Data Sheet

prima
The Smarter Choice™



| Prima Code | CPR325 |
|--------------------------------|---|
| Description | Prima Granite 1.5B & Drainer Inset Sink |
| Colour | Light Grey |
| Material | Granite |
| Finish | Matt |
| Fitting Style | Inset |
| Sealant Strip (Incl./Separate) | Separate |
| No. Drainers | 1 |
| No. Tap Holes | Reversible, part pre-drilled |
| Features | Extra deep bowl Scratch resistant Stain resistant |
| Dimensions (mm) | W 1000 x D 500 x H 203 |
| Main Bowl Dimensions (mm) | W 340 x D 420 x H 203 |
| 1/2 Bowl Dimensions (mm): | W 160 x D 340 x H 150 |
| Cut out depth (mm) | 480 |
| Cut out width (mm) | 980 |
| Minimum cabinet width (mm) | 600 |
| Main Bowl Radius (mm) | 8 |
| Half Bowl Radius (mm) | 8 |
| Drainer (RH/LH) | Both |
| Reversible | Yes |
| Accessories (included) | Waste, overflow, plumbing kit, fitting clips & Cut out |
| Waste disposer compatible | Yes |
| Boxed/Sleeved packaging | Boxed |
| Guarantee | 20 Years |