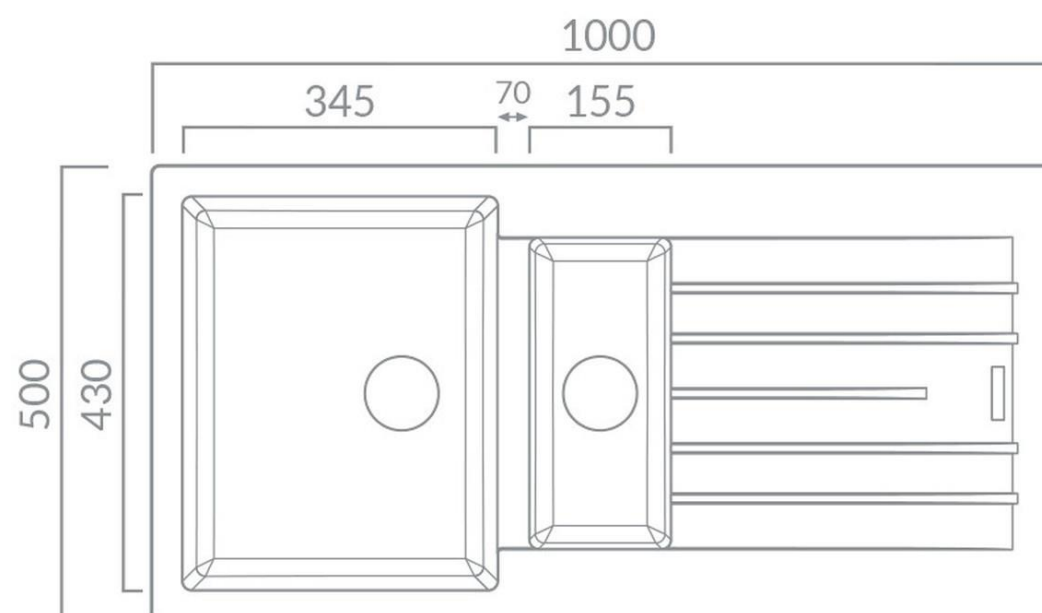


Product Data Sheet



Prima Code	CPR317
Description	Prima+ Granite 1.5B & Drainer Inset Sink
Colour	Light Grey
Material	Granite
Finish	Matt
Fitting Style	Inset
Sealant Strip (Incl./Separate)	Separate
No. Drainers	1
No. Tap Holes	0
Features	Extra deep bowl Scratch resistant Stain resistant
Dimensions (mm)	W 1000 x D 500 x H 200
Main Bowl Dimensions (mm)	W 345 x D 430 x H 200
1/2 Bowl Dimensions (mm):	W 155 x D 340 x H 146
Cut out depth (mm)	480
Cut out width (mm)	980
Minimum cabinet width (mm)	600
Main Bowl Radius (mm)	6
Half Bowl Radius (mm)	6
Drainer (RH/LH)	Both
Reversible	Yes
Accessories (included)	Waste, overflow, plumbing kit & fitting clips
Waste disposer compatible	Yes
Boxed/Sleeved packaging	Boxed
Guarantee	Lifetime