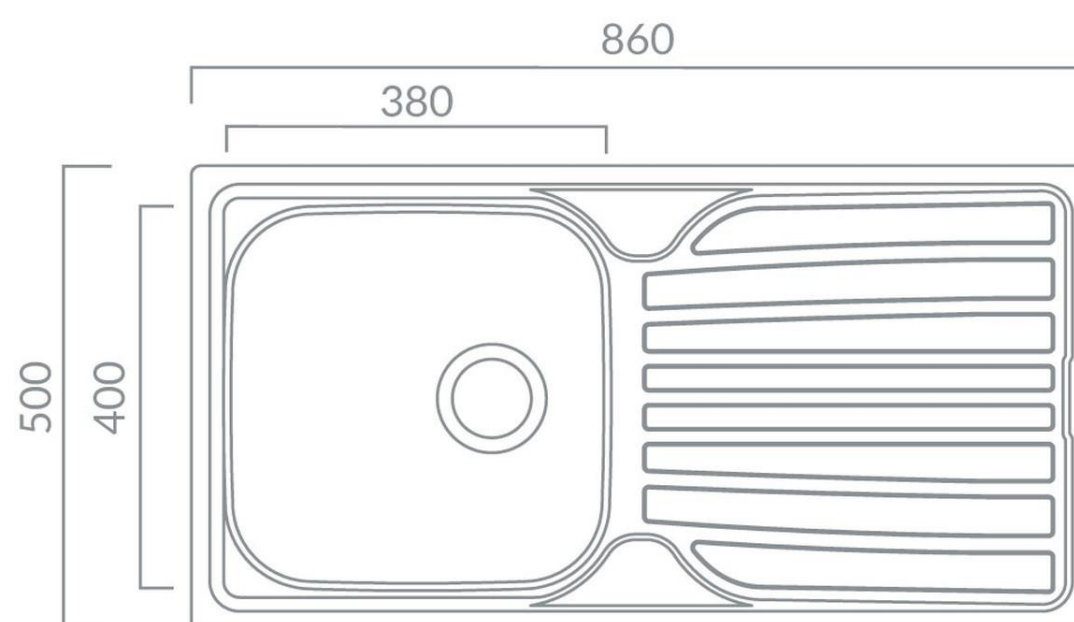


# Product Data Sheet



Prima Code	CPR040
Description	Prima Compact 1B Sink & Tap Pack
Colour	Grey/Silver
Material	Stainless Steel
Stainless Steel Thickness (mm)	0.6
Finish	Polished
Fitting Style	Inset
Sealant Strip (Incl./Separate)	Incl.
No. Drainers	1
No. Tap Holes	1
Features	Flow aerator, WRAS approved tap, Pre-drilled tap holes
Dimensions (mm)	W 860 x D 500 x H 170
Main Bowl Dimensions (mm)	W 380 x D 400 x H 170
Cut out depth (mm)	482
Cut out width (mm)	842
Minimum cabinet width (mm)	400
Main Bowl Radius (mm)	10
Drainer (RH/LH)	Both
Reversible	Yes
Accessories (included)	Waste, overflow & single lever tap
Accessories (optional)	CPR106 Plumbing kit
Minimum Tap Pressure	0.3 bar
Waste disposer compatible	Yes
Boxed/Sleeved packaging	Boxed
Guarantee	Lifetime (sink) & 5 years (tap)