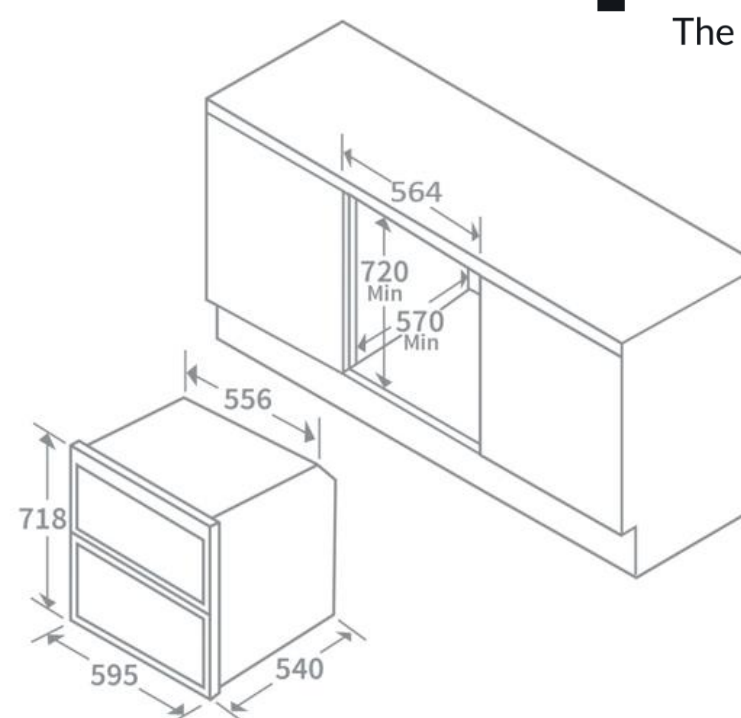


# Product Data Sheet



Prima Code	PRD0304
Description	Prima+ built-under double electric oven
Colour	Stainless steel & black glass
EAN Code	5034109770163
Upper cavity: no. of cooking functions:	4
Cooking Functions - Top Cavity	Full grill (upper heater + grill heater)
	Grill heater
	Lower heater
	Upper heater + lower heater
Lower cavity: no. of cooking functions:	4
Cooking Functions - Bottom Cavity	Fan (defrost)
	Fan + circular heater
	Grill element + fan
	Grill element
Features & contents	Digital timer & clock
	'Easy-remove' doors for cleaning
	2 chrome shelf
	1 grill pan (20mm) & mesh grill shelf
	Metal tray handle
	Removable side racks
	Double glazed door
Display	White LED
Controls	Mechanical (rotary)
Timer	Digital 24 hour timer
Top Cavity: Net Capacity	35 litres
Top Cavity: Gross Capacity	38 litres
Bottom Cavity: Net Capacity	50 litres
Bottom Cavity: Gross Capacity	53 litres
Connection cable length	n/a
Maximum Connecion	4kW
Electrical Voltage	220-240V
Frequency	50Hz
Fuse rating	18A
Energy Rating	A
Product Height (mm)	718
Product Width (mm)	595
Product Depth (mm)	540 (body) + 20 (frame)
Required Cavity Height (mm)	720
Required Cavity Width (mm)	564
Required Cavity Depth (mm)	570