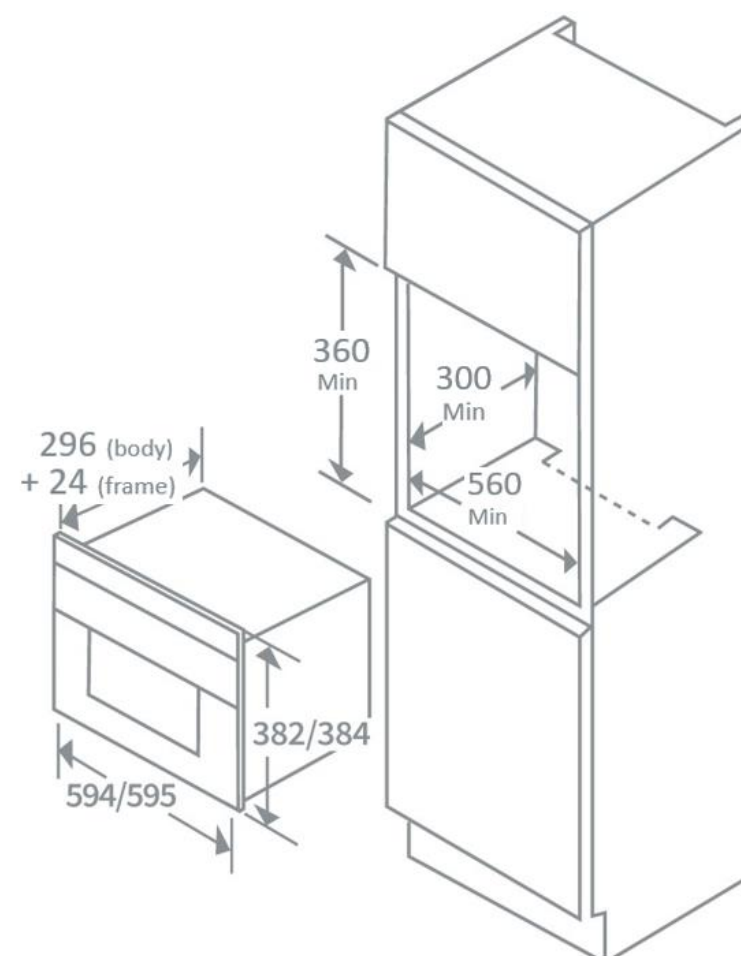


Product Data Sheet



Prima Code	PRCM111
Description	Built-in stainless steel frameless microwave
Colour	Stainless steel & black glass
EAN Code	5034109422314
Microwave Power levels	4
Functions	Microwave (4 Power levels: 160W - 750W)
	Jet defrost
	Express cooking ("quick start")
Features	Wall unit compatible
	Digital timer & clock
	Child safety lock
Display	White LED
Timer	0-30 minutes
Gross Capacity	22 litres
Microwave Input Power	1300W
Microwave Output Power	750W
Grill Input Power	n/a
Electrical Voltage V	230
Frequency (Hz)	50
Connection	Supplied with moulded 13A UK plug
Connection cable length	1.35 metres
Turntable diameter (mm)	250
Product Height (mm)	382
Product Width (mm)	595
Product Depth (mm)	296 (body) + 24 (frame)
Required Cavity Height (mm)	360 (min)
Required Cavity Width (mm)	560 (min)
Required Cavity Depth (mm)	300 (min)
Warranty	5 year parts & 2 year labour