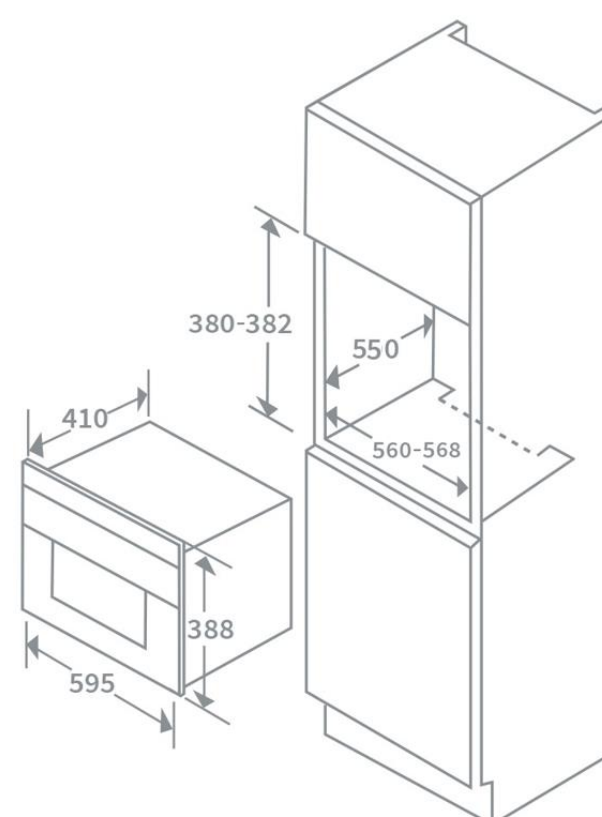


# Product Data Sheet



Prima Code	LCTM25F
Description	Built-in stainless steel framed microwave
Colour	Stainless steel
EAN Code	5055294487766
Microwave Power levels	5
Functions	Microwave (5 Power levels: 100W - 1000W)
	Defrost
	Express cooking ("quick start")
	Auto cook function
	Multi function (pre-set)
	Grill
	Grill & microwave combination (3 levels)
Features	Digital timer & clock
	Child safety lock
Display	Red LED
Timer	0-95 minutes
Gross Capacity	25 Litres
Microwave Input Power	1450W
Microwave Output Power	900W
Grill Input Power	1000W
Electrical Voltage V	230
Frequency (Hz)	50
Connection	Supplied with moulded 13A UK plug
Connection cable length	1 metre
Turntable diameter (mm)	315
Product Height (mm)	388
Product Width (mm)	595
Product Depth (mm)	410
Required Cavity Height (mm)	380 (min) - 382 (max)
Required Cavity Width (mm)	560 (min) - 568 (max)
Required Cavity Depth (mm)	550 (min)