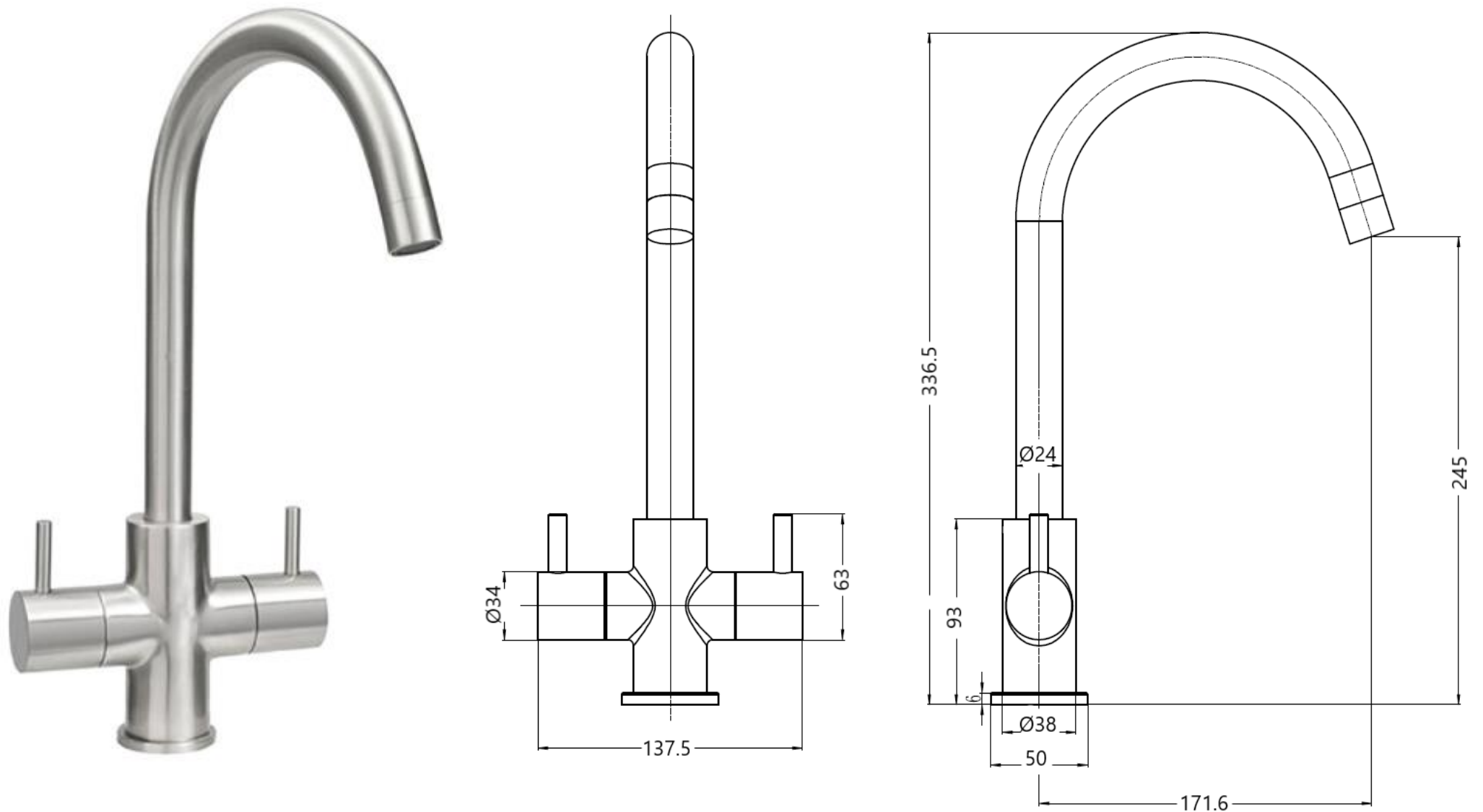


Product Data Sheet



Prima Code	BPR2204
Description	Staten Dual Mixer Tap
Colour	Brushed Finish
Material	Chrome
Minimum Pressure	0.3 bar
Maximum Pressure	6 bar
Spout Type	Swivel
Operation	Quarter turn
Spout Reach(mm)	203
Spout Height (mm)	258
Product Height (mm)	367
Base/Handle Width (mm)	148
Base Diameter (mm)	50
Tap Hole requirement (mm)	30
Guarantee	10 years
WRAS approved (/certificate)	NO